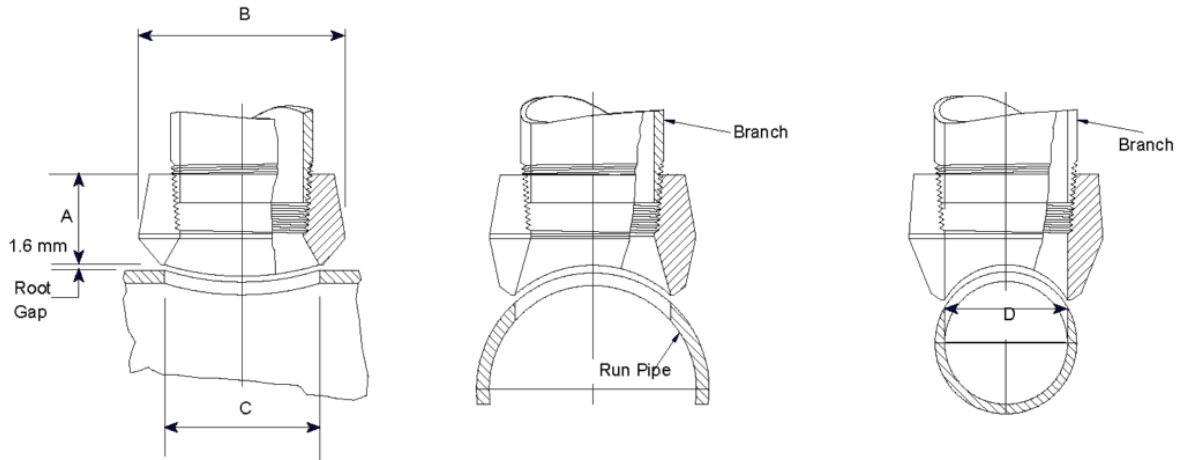




THREDOLET DIMENSIONS



Size in Inches	A	B	C	D	Weight in KG
Class 3000					
1/8	19.05	25.40	15.88		0.05
1/4	19.05	25.40	15.88		0.05
3/8	20.64	31.75	19.05		0.09
1/2	25.40	35.72	23.81		0.11
3/4	26.99	43.66	29.37		0.16
1	33.34	50.80	36.51		0.27
1 1/4	33.34	65.09	44.45		0.41
1 1/2	34.93	72.23	50.80		0.45
2	38.10	88.11	65.09		0.79
2 1/2	46.04	103.19	76.20		1.36
3	50.80	122.24	93.66		1.97
3 1/2	53.98	132.56	101.60		2.61
4	57.15	151.61	120.65		3.22
5	66.68	185.74	141.29		5.44
6	69.85	219.08	169.86		6.94
Size in Inches	A	B	C	D	Weight in KG
Class 6000					
1/4	28.58	34.13	14.29		0.14
3/8	28.58	34.13	14.29		0.14
1/2	31.75	43.66	19.05		0.20
3/4	36.51	49.61	25.40		0.34
1	39.69	61.91	33.34		0.57
1 1/4	41.28	69.06	38.10		0.73
1 1/2	42.86	82.55	49.21		0.88
2	55.03	102.39	69.85		2.27
Size in Inches	A	B	C	D	Weight in KG
Size on Size Class 3000					
1/2	25.40	34.93	23.81	15.88	0.07
3/4	26.99	41.28	30.16	20.64	0.11
1	33.34	50.80	36.51	26.99	0.20
1 1/4	33.34	60.33	44.45	34.93	0.32



TESCO
STEEL & ENGINEERING

Exporter, Stockist and Manufacturer of:
Pipe Fittings, Pipes/Tubes, Plates, Heavy Shafts, Coils in Stainless Steel, Duplex Steel, Alloy Steel and other Ferrous/Non-Ferrous metal.

1 1/2	34.93	73.03	50.80	41.28	0.41
2	38.10	88.90	65.09	52.39	0.64
2 1/2	48.42	103.19	76.20	63.50	1.13
3	50.80	122.24	93.66	77.79	1.95
3 1/2	53.98	136.53	112.71	90.49	2.04
4	57.15	153.99	120.65	103.19	3.08
5	61.91	184.15	133.35	133.35	4.17
6	69.85	220.66	146.05	146.05	7.12
All Dimensions are in mm					

- Threaded ends are in accordance with ASME B1.20.1. Design as per MSS SP-97
- Threadolet[®] is a registered name. Another often used name is Threaded Outlet.