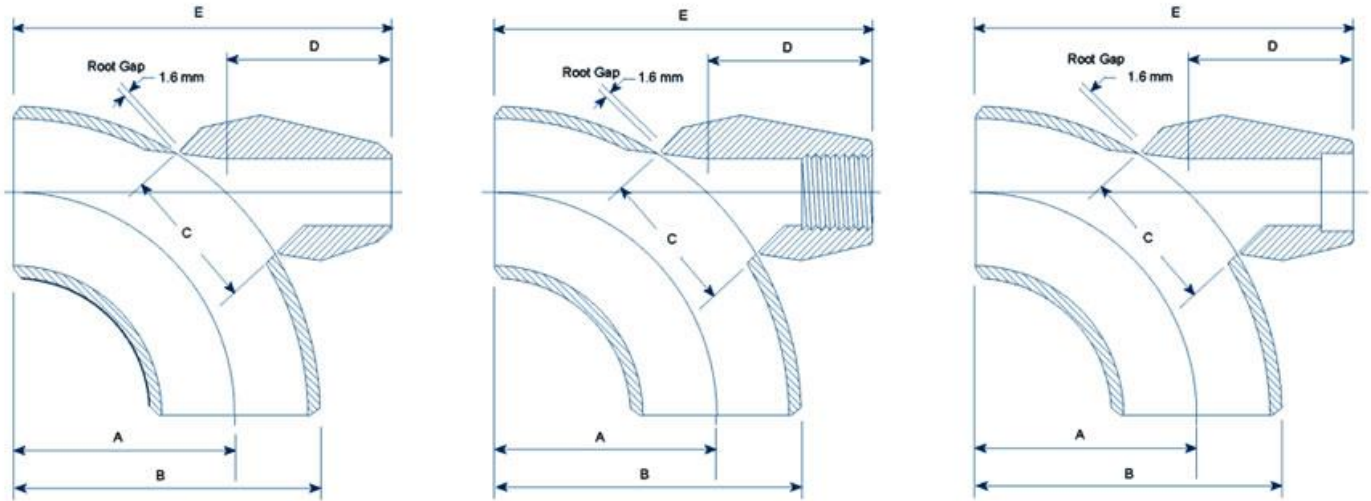




### ELBOLET DIMENSIONS



Inches Class 3000 Threaded & Socket Weld Std. & XS Butt-Weld					
Size	A	B	C	D	E
1/4	Elbow Radius 1.5D (NPS)	Elbow Radius 2D (NPS)	38.10	40.48	$((\text{Run Pipe O.D.})/2 + \text{Root Gap}) / 0.707 + D$
3/8			38.10	40.48	
1/2			38.10	40.48	
3/4			43.66	47.63	
1			57.15	57.15	
1 1/4			73.03	63.50	
1 1/2			79.38	68.26	
2			106.36	82.55	
2 1/2			106.36	82.55	
3			128.59	98.43	
4			168.28	122.24	
6			238.13	165.10	
8	338.14	204.79			
10	432.59	263.53			
12	498.48	282.58			
Inches Class 6000 Threaded & Socket Socket-Weld Sch. 160 & XXS Butt-Weld					
Size	A	B	C	D	E
1/4	Elbow Radius 1.5D (NPS)	Elbow Radius 2D (NPS)	38.10	40.48	$((\text{Run Pipe O.D.})/2 + \text{Root Gap}) / 0.707 + D$
3/8			38.10	40.48	
1/2			43.66	47.63	
3/4			57.15	57.15	
1			73.03	63.50	
1 1/4			79.38	68.26	
1 1/2	106.36	82.55			

All Dimensions are in mm

- Elbolet<sup>®</sup> is a registered name. Another often used name is Elbow Outlet.